

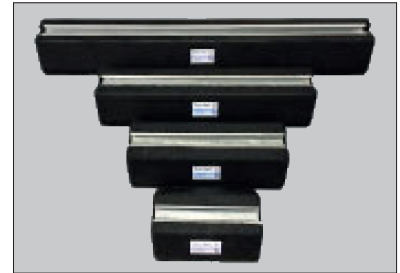
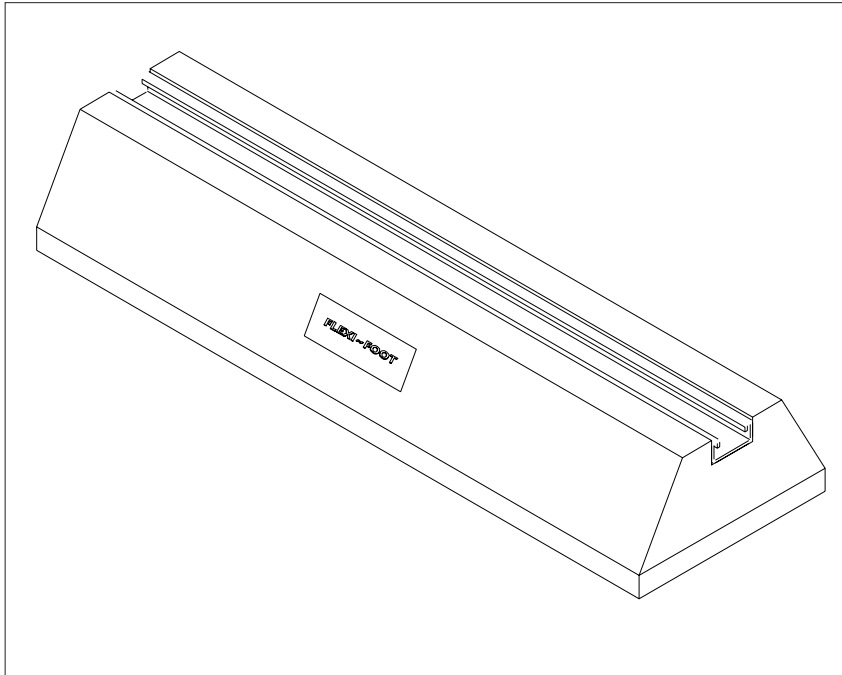


SOLAR



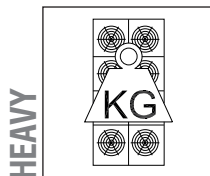
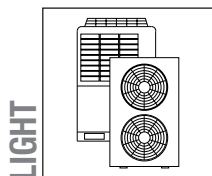
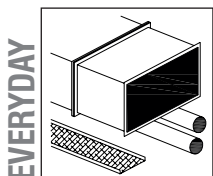
■ FLEXI FOOT (ECO PACKS)

AN ECONOMICAL SOLUTION FOR THE SUPPORT OF SOLAR PV AND SOLAR THERMAL



■ FEATURES & BENEFITS

- Non-penetrative support
- Flexible design to accommodate late design changes
- Fast and simple installation
- Supplied with integrated 41 x 21mm steel strut - fully bonded to the foot - stronger than some aluminium alternatives.
- Strut is hot-dip galvanised



FLEXI-SOLAR Flexi Foot (Eco Packs)

The DiversiTech International sales team are available to answer your questions or queries on this product. Our experts are waiting for your call +44 (0)115 900 5858 or if you prefer send an email to sales@flexisupportsystems.co.uk or visit www.flexisupportsystems.co.uk





■ FLEXI-FOOT (ECO PACKS)

Flexi Eco packs offer the installer a simplistic and fast solution for the support of photovoltaic panels and solar thermal units, where value engineering is required. Supplied in pairs, these 600mm long feet are also supplied with their own fixing pack (M10 sets and sprung nuts), for rigid securing to the A-frame. These feet offer a base foundation to secure a length of cable tray, which in turn acts as a carrier for the concrete paving slab ballast. The feet are manufactured from dense SBR recycled rubber and house an integrated length of 41 x 21mm hot-dip galvanised strut bonded to the foot. A-frame, tray and ballast are supplied by others.

Typical support layout Part code - FF-600-S (shown below)



■ APPLICATION

- Suitable for the support of photovoltaic and solar thermal panels avoiding the need to puncture the roof membrane, A-frame, tray and ballast are supplied by others.

■ MATERIAL SPECIFICATION

- Foot - SBR recycled rubber 8S7188:1989 + A2:2009 and BS EN 1176-7:2008 - UV stabilised
- Integrated Strut - 41 x 21 x 2.5mm steel strut hot-dip galvanised steelwork BS EN 10219-1:2006
- Finish - Galvanising: BS EN ISO 1461:2009
- Robust high-quality materials used
- Channel is compatible with industry standard fixings and fixtures
- Suitable for internal or external environments in temperatures between -40°C to +80°C. BS EN 60068-2-14:2009

■ WHAT OUR SERVICE OFFERS YOU

- Quotations on request
- Full Auto-CAD drawing support
- Site support and site surveys
- Load management calculations
- Over 25 years experience in flat roof design, and providing support systems to building services
- Fast delivery
- Experienced in-house technical staff

Code	Description	Length	Width	Height	Safe working load	Weight
FF-250-S	Flexi Foot with Strut - 250mm	250mm	185mm	100mm	175kg	2.8kg
FF-400-S	Flexi Foot with Strut - 400mm	400mm	185mm	100mm	280kg	4.6kg
FF-600-S	Flexi Foot with Strut - 600mm	600mm	185mm	100mm	420kg	7.6kg
FF-1000-S	Flexi Foot with Strut - 1000mm	1000mm	185mm	100mm	700kg	12.0kg

Specification Extract

External Solar PV / Solar Thermal will be supported on DiversiTech Flexi Foot with strut. Tel: +44(0)115900 5858

FLEXI-SOLAR
Flexi Foot (Eco Packs)

The DiversiTech International sales team are available to answer your questions or queries on this product. Our experts are waiting for your call +44 (0)115 900 5858 or if you prefer send an email to sales@flexisupportsystems.co.uk or visit www.flexisupportsystems.co.uk

DIVERSITECH[®]
INTERNATIONAL